

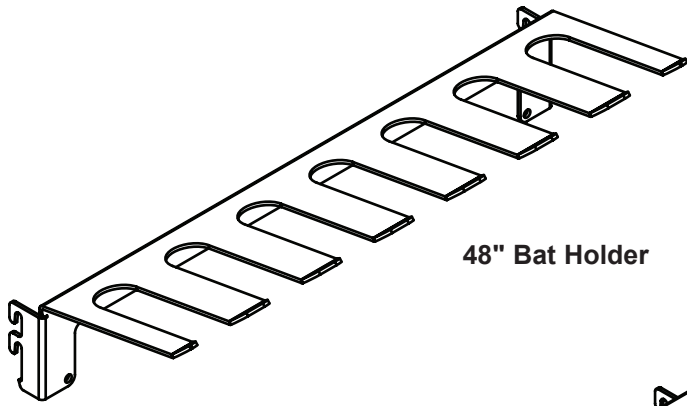
Basic Instructions only!
 For more detailed product information, refer to the
 GearBoss High-Density Storage System Owner's Manual 240A099.

⚠ CAUTION

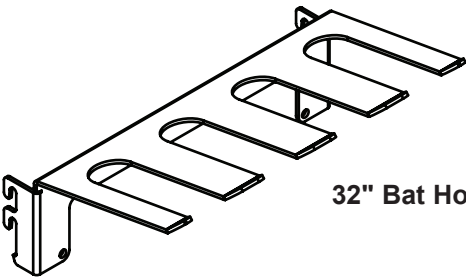
Make sure anyone assembling, installing or using this product has read and understands these instructions.

⚠ CAUTION

Failure to comply with Warnings and Cautions in this document or on the equipment can result in damage to property or serious injury.



48" Bat Holder



32" Bat Holder

Contents

Installation 2	Replacement Parts Lists 4
--------------------------	-------------------------------------



Visit the GearBoss High-Density Storage System web page at gearboss.com for more information.

Note: Please read and understand these instructions before proceeding.
Note: If you need additional information, contact Wenger Corporation using the information below.

Installation

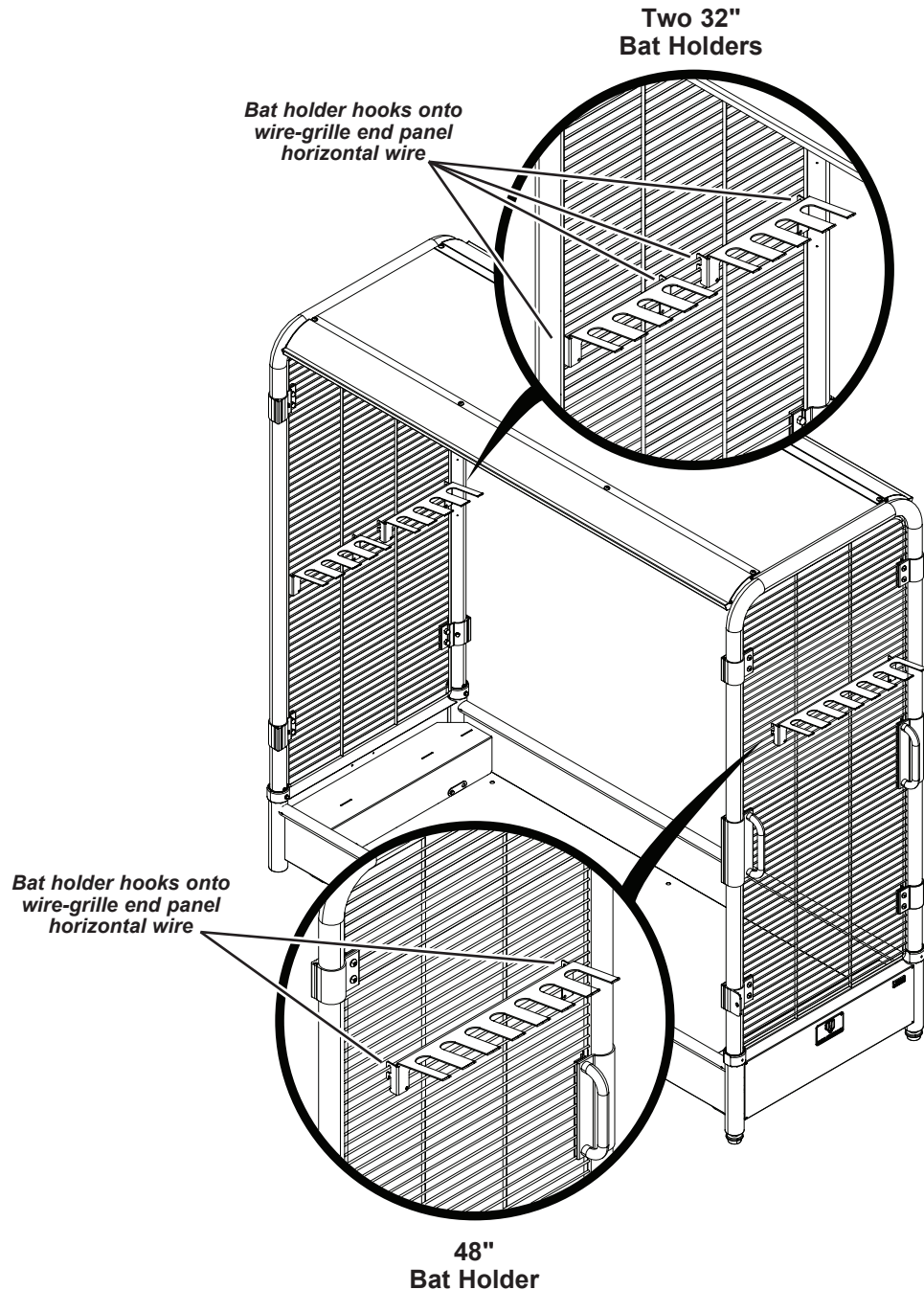
CAUTION

Injury or damage may occur if the bat holder is used for anything other than storing bats.

NOTICE

The installation procedure is the same for both the 48" and the 32" bat holder accessory.

1. Attach the bat holder accessory hanger bracket to an end frame wire-grille end panel.
 - a. Place the bat holder hooks onto the wire-grille end panel horizontal wires.
 - b. Make sure that both accessory hanger brackets are at the same height and equally spaced horizontally from the edge of the cart.

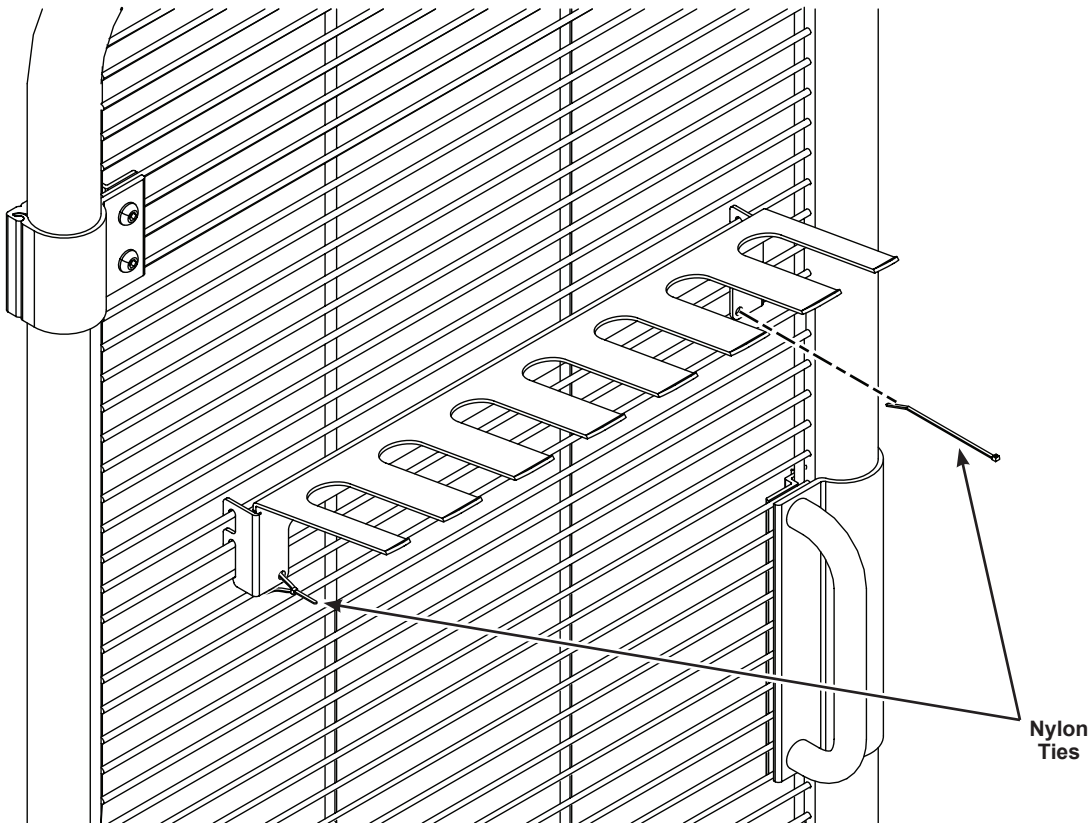


Installation (continued)

2. Secure the bat holder accessory hanger bracket to the end frame wire-grille end panel.
 - a. Feed one of the included nylon ties through each hole located near the bottom (two per bracket).
 - b. Wrap nylon tie around a wire-grille panel horizontal wire and fasten the tie.

NOTICE

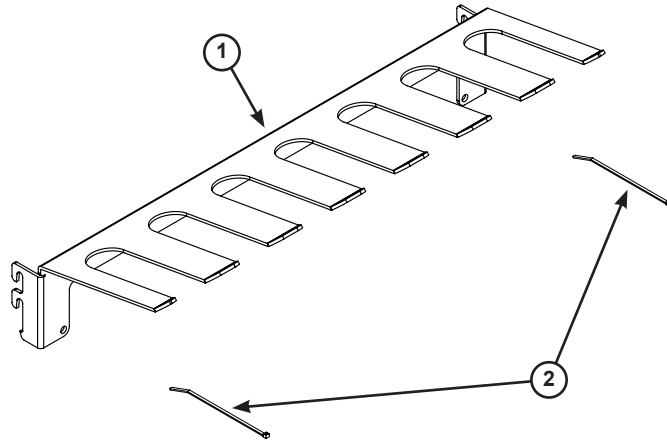
Once the nylon tie is fastened, it cannot be removed without cutting it off.



Replacement Parts List

48" Bat Holder Accessory

Item	Qty	Description
1	2	48" Bat Holder
2	4	Nylon Tie



32" Bat Holder Accessory

Item	Qty	Description
1	2	32" Bat Holder
2	4	Nylon Tie

